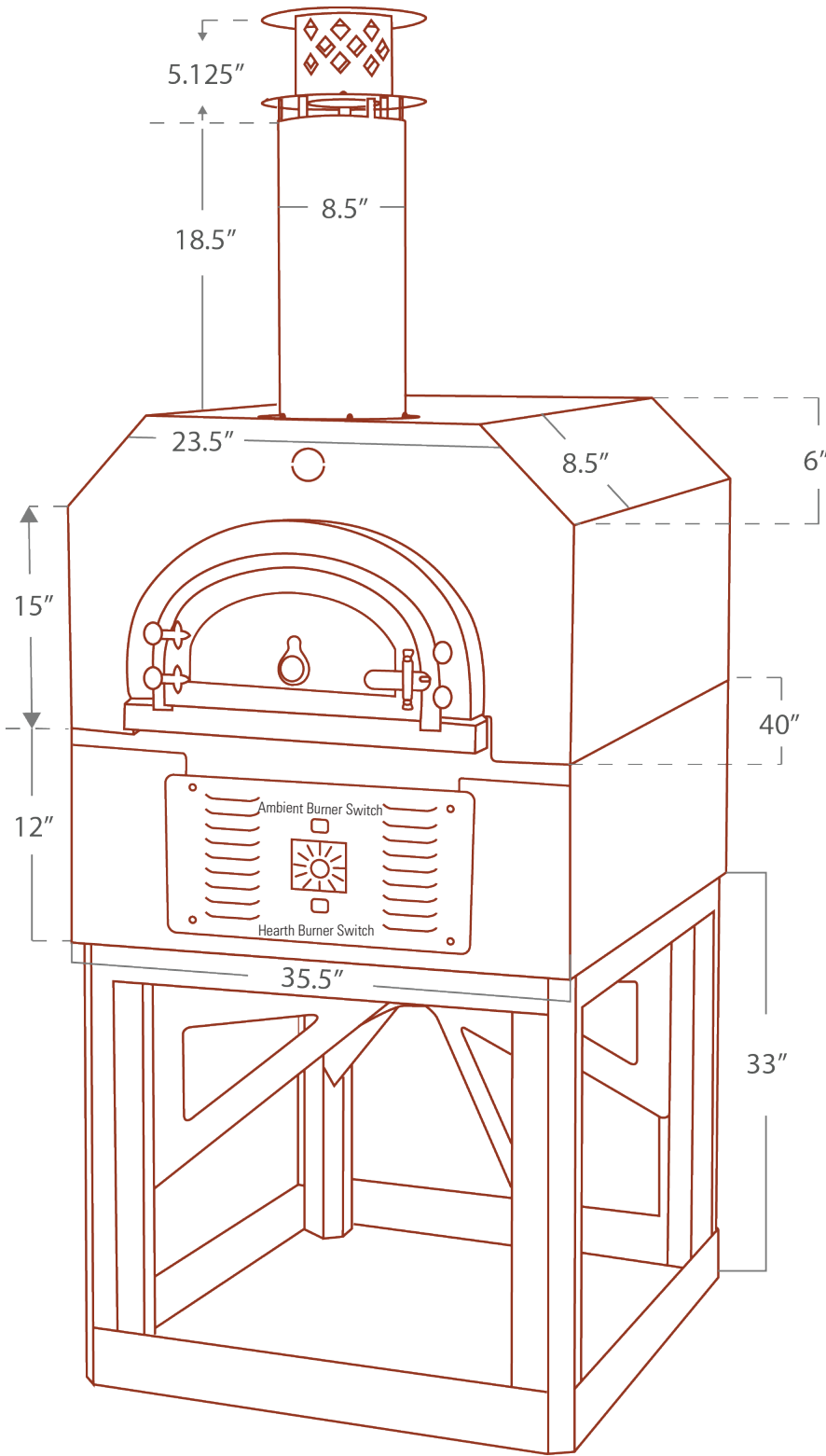


CBO-750 Hybrid Stand Specifications

Base SKU CBO-O-STD-750-HYB

Details

- Pre-assembled
- Custom-Built, Heavy-Duty Stand
- Metal Insulated Hood
- Gas Package (Available in Natural or Propane Gas; Specify Altitude)
- Accessory Package (Pizza Peel, Brush, Infrared Thermometer)
- Residential (R) - Certified for Outdoor Residential Use
- Hearth Cooking Surface 38" x 28"



Oven with Stand Weight: 1,051 lbs.